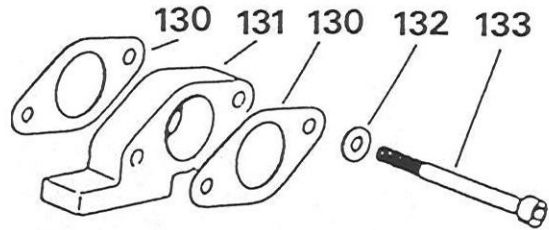
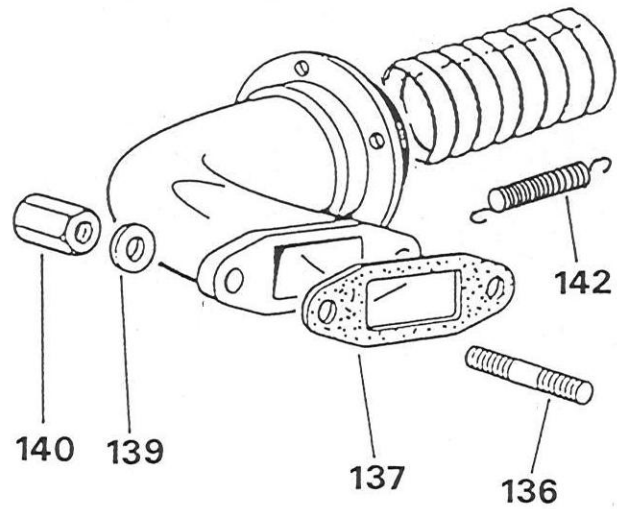


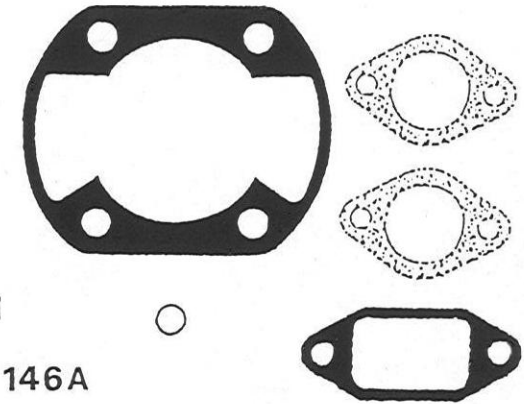
INLET SYSTEM



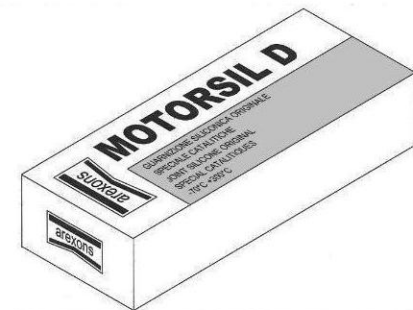
EXHAUST SYSTEM



GASKET SET



LIQUID SEAL-JOINT LIQUIDE



130	B-71822	CARB GASKET
131	B-71819	CARB SPACER – WB3A
131	B-71819-WA	CARB SPACER – WA55B
132	00302	WASHER – 6mm
133	00054	BOLT-FILTER CUP-WB--6 x 75
136	B-75355	EXHAUST STUDBOLT – 8 x 36
137	B-71360	EXHAUST GASKET
139	00303	WASHER – 8mm
140	B-71662	EXHAUST NUT – 8mm
146A	B-71990	GASKET SET
150	00602	LIQUID GASKET
***	AC-WB	FILTER CUP – WB3A
***	AC-WA	FILTER CUP – WA55B
***	B-71819-MAN	CARB ADAPTER / MANIFOLD-WA55
***	00047	BOLT--CARB ADAPTER / MANIFOLD--WA55
***	00039	BOLT--FILTER CUP--WA55--5 x 40
***	WB-3-A	CARBURATOR – WB3A
***	WA-55-B	CARBURATOR – WA55B
***	D-95800-R	FUEL HOSE REDUCER – WA55B
	H-K1	SILENCER -- K1 -- SPORTSMAN / CADET
	H-K2	SILENCER -- K2 -- JUNIOR
	H-K4	SILENCER -- K4 -- SENIOR
	H-CON-10	CONNECTOR TUBE -- K4
	H-CON-12	CONNECTOR TUBE -- K1 + K2
	H-HEADER	HEADER
	H-SP	SPRING SET